



Generation by Knoll®





It's not a chair. It's a movement. Introducing Generation by Knoll®

The first chair that lets you sit how you want.

Generation by Knoll offers a new standard of comfort and unrestrained movement, supporting the range of postures and work styles typical of today's workplace. Designed by Formway Design, Generation takes the idea of elastic design—where a product rearranges itself in response to its user—to a new level.

This revolutionary work chair reflects our commitment to environmental sustainability. Generation is the first chair to earn a SMaRT® Sustainable Platinum rating. It is also GREENGUARD Children & SchoolsSM certified and can contribute to achieving LEED® points.

sithowyouwant.com



A chair for a new generation of work.

Generation by Knoll moves as you move.

The Generation by Knoll chair is the result of Formway Design's research into how people sit throughout the day. Their research, based on insights gathered on the contemporary workplace, revealed that sitting reflects a breadth of positions. Sitting upright and facing forward is just one of the many things that people do in their office chair. Recognizing that the basic assumption about office seating—that there is one optimal way to sit—was flawed, Formway and Knoll joined forces to create a chair that moves as you move. Generation doesn't force you to choose between freedom of movement and continuous support, but, instead, provides both, simultaneously.



Freedom of movement. Today's workplace must accommodate many generations—Baby Boomers, Generation X and Generation Y—and their different work styles and office habits. With the evolution from strictly focused, task-oriented settings to more informal gatherings, there's a premium placed on spaces where people can shift easily from activity to activity. Generation by Knoll promotes interaction and collaboration which are increasingly at the core of dynamic organizations, requiring furniture that is both agile and flexible.









Generation by Knoll is a responsive partner.

Introducing the Generation by Knoll Flex Back and Flex Top. Elastic design and material innovation that deliver multidimensional support.

Current ergonomic research challenges the idea of a single, forward-facing posture, recognizing that maintaining one seated position for an extended time is not compatible with the body's natural tendency toward movement. Created from a high performance elastomer, the innovative Generation by Knoll Flex Back facilitates changes in posture and position throughout the workday. The Flex Top extends the range of movement, allowing you to sit comfortably in any position—even sideways.

Energizing Flex. The Generation by Knoll Flex Back fuses two innovative elements—a resilient Flex Back Net and a distinctive figure 8 structure—which together support many different postures and allow for multidimensional movement. The curvature of the figure 8 structure combined with the specific tension, pattern and unique properties of the Net enables side-to-side flex and ensures optimal localized support for shoulders and lumbar region. Responding to your range of movement, the Flex Top folds over the top edge of the back providing a comfortable armrest for side sitting or other informal postures.



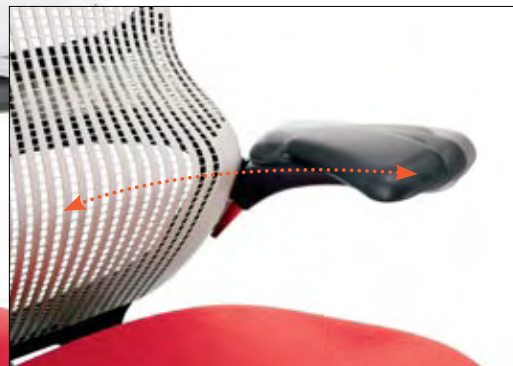


Freedom for every body.

Flex Seat, Continuous Lumbar and inventive arms—a fluid combination that supports your every movement, even side sitting.

Generation by Knoll moves as you move, encouraging free expression, creativity and engagement at work. The Flex Seat offers 270 degrees of seat edge flex without a hard frame or obtrusive levers along the seat perimeter. And for added comfort and support, the Continuous Lumbar carries the lumbar support in the Flex Back through the design of the arms. The result: seamless movement from upright to perched or side sitting positions.

A New Standard for Support. The Generation arm—an extension of the built-in lumbar support—provides 4.5" of height adjustment. High performance arms incorporate a free-floating arm pad that naturally adjusts as you change from a task-oriented position to a side seated posture. A height-adjustable lumbar attachment is available for those who need additional support.







Balance throughout the work day.

The groundbreaking Generation by Knoll Dynamic Suspension control assures a smooth and effortless ride.

Generation by Knoll redefines the modern office with innovative features that make work easier. Case in point: the streamlined Dynamic Suspension control. Constructed from the same high performance elastomer as the Flex Back Net, this simple, non-mechanical control provides a weight-compensated, smooth ride—without the complexity of metal links or springs. The inherent properties of this material—flex and durability—enable an enhanced range of energizing, side-to-side movements.

Sit and Recline. The synchronized recline of the Dynamic Suspension control counterbalances your body weight, resulting in a smooth and effortless ride. Four independent flexors act as suspension devices that support and respond to your multidirectional movements. Generation by Knoll features intuitive adjustments for seat height, as well as 3" of seat depth adjustment. A tilt preference selector allows for additional resistance in the recline.





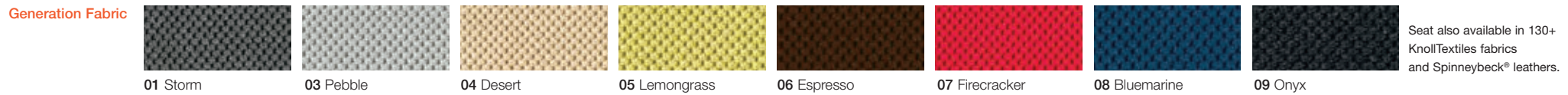
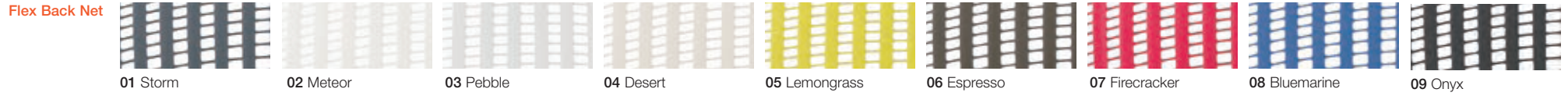
Expressive materials and finishes.

Generation by Knoll energizes space.

The fluid, progressive form of Generation by Knoll represents a contemporary expression of how people sit, aspiring to be the user's shadow, and almost, but not quite, as elastic as the human body. Like the sculptural designs of Knoll masters Eero Saarinen and Harry Bertoia, Generation by Knoll complements architecturally-inspired interiors. With its many color and finish choices, Generation by Knoll can energize space much in the same way that it energizes users.



Knoll Office Seating



Finish options



DK Dark

LT Light

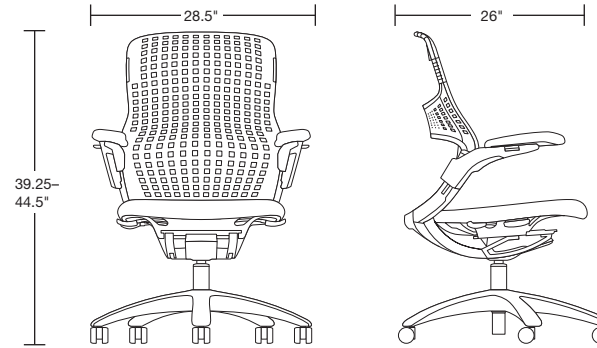
Base options



Dark plastic

Light plastic

Polished aluminum



Refuse to sit still.SM