

Antenna® Power Beam for Intermediate Gallery Panel

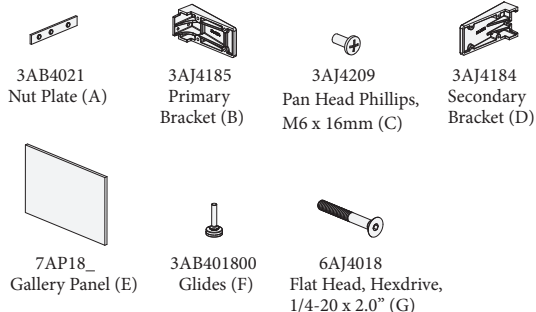
Pattern Numbers Represented:

Beam: YNB_

Gallery Panel: YNGPI_

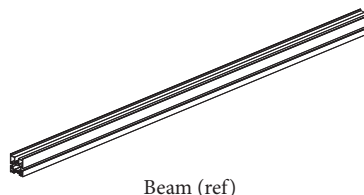
Gallery Panel Attachment Bracket: YNGPBB

Parts List:



Tools Needed:

- Drill
- #4 Phillips Bit
- Bit extension or long reach #4
- Phillips Screwdriver
- 4mm Hex Bit
- 1/4" Drill Bit



Gallery Panel Installation

Attach Nut Plate to Beam

1. Prepare Beam by inserting Nut Plate (A) into the side channel of the beam. (Fig. 1)

Fig. 1

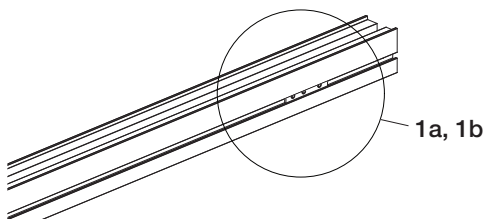


Fig. 1a

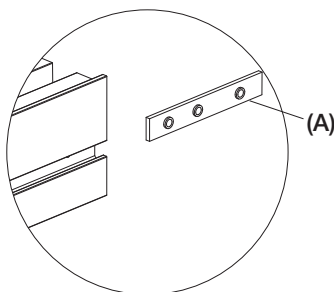
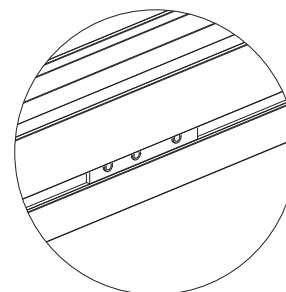


Fig. 1b



DISASSEMBLY FOR RECYCLING

Materials Identification and Segregation:

Where possible plastic components are marked with ASTM recycling codes. Use these codes to identify material type for recycling. Non-marked components should be treated as mixed plastic. Ferrous metals can be identified using a small magnet for recycling. Non-ferrous metals should be separated and recycled separately.

To disassemble product, reverse the above installation steps.

Attach Bracket to Beam

2. With a Phillips Screwdriver, attach Primary Bracket (B) to the side of the beam using 2 Pan Head Philips Screws (C) into the Nut Plate positioned in Step 1. (Fig. 2)

Note: When facing the beam, the primary bracket should be on the right side of the gallery panel.

Fig. 2

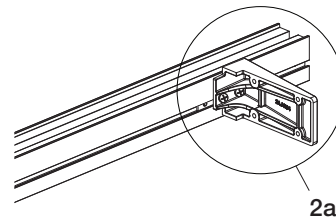
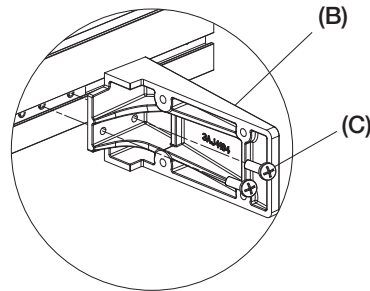


Fig. 2a



Attach Secondary Bracket to Beam

3. With a Phillips Screwdriver, thread the third Pan Head Philips Screw (C) into left side of the Nut Plate, just enough so that a few threads are engaged.

Position Secondary Bracket (D) against the side of the beam and slide the slotted flange under the head of the screw. Lightly tighten the screw to keep the Secondary Bracket in place. (Fig. 3)

Fig. 3

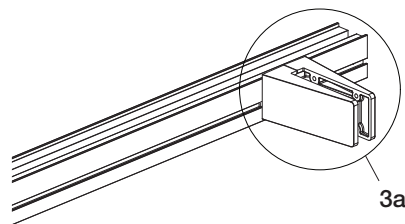
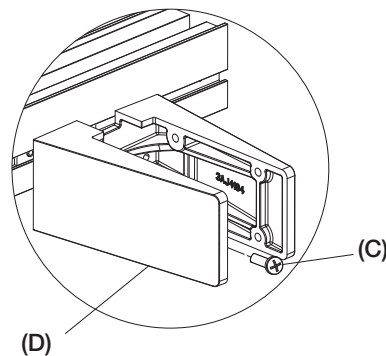


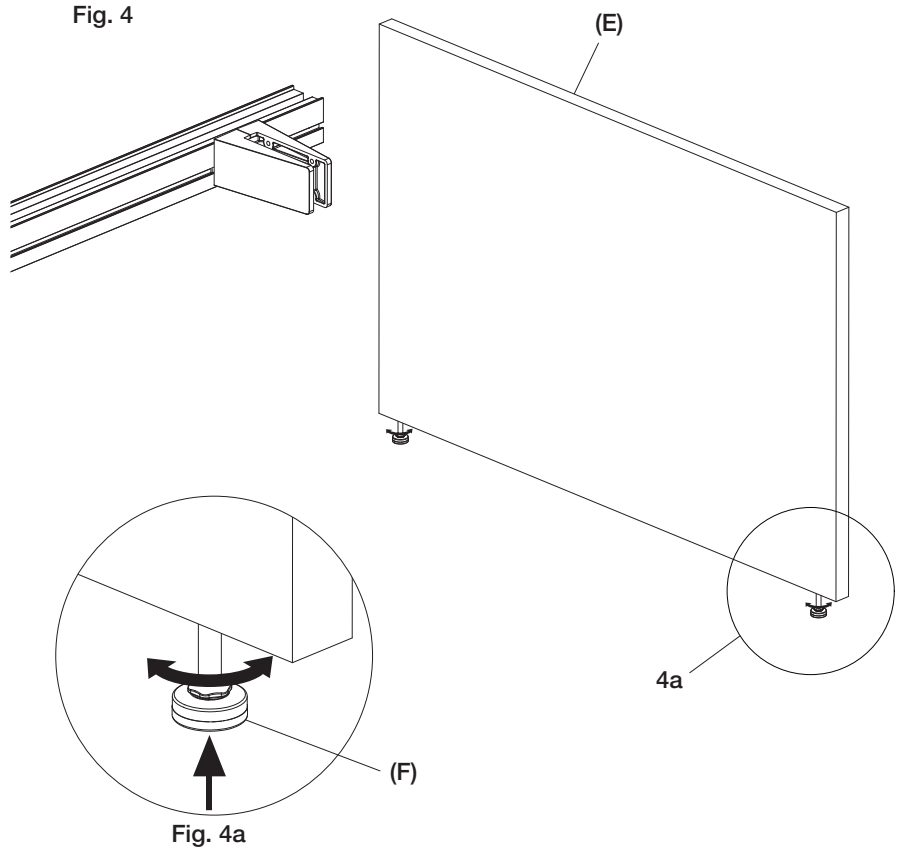
Fig. 3a



Antenna® Power Beam Gallery Panel

Attach Gallery Panel to Brackets

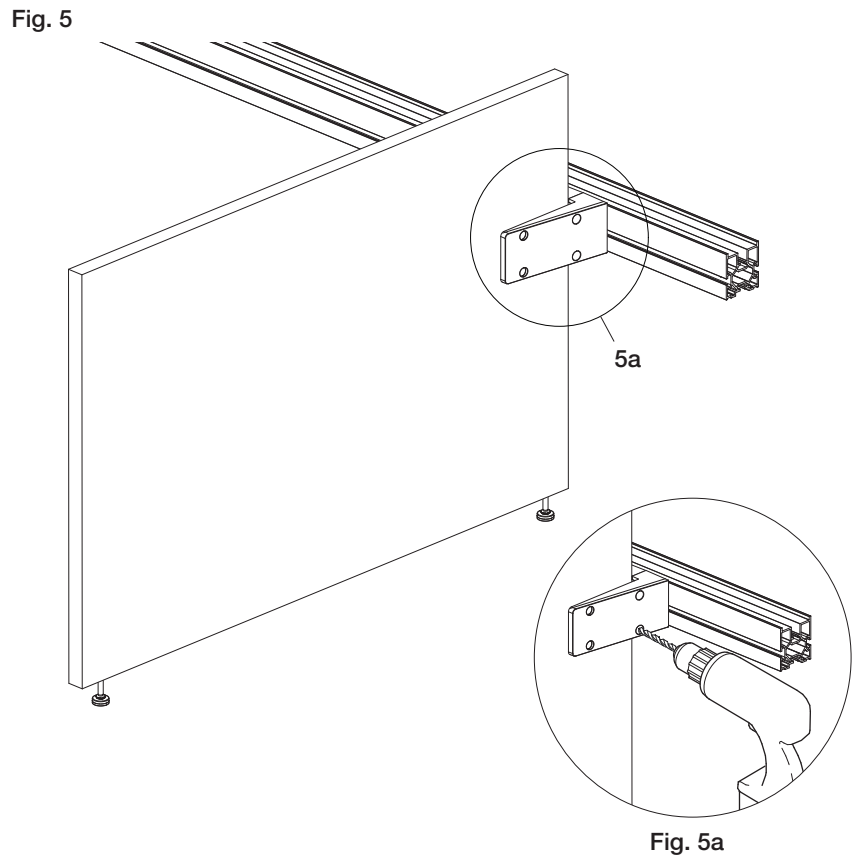
- Slide the Gallery Panel (E) into the opening between the brackets. Thread the Glides (F) into the bottom of the Gallery Panel and level the glides to the desired panel height. (Fig. 4)



Attach Gallery Panel:

- Hold the Gallery Panel tightly against the Primary Bracket. With a Drill and a 1/4" Drill Bit, use the four holes of the Primary Bracket to start the four 1/4" through holes needed in the panel. (Fig. 5)

Note: Do not drill completely through the panel, only start the four holes; Secondary Bracket threads may become damaged from the drill.

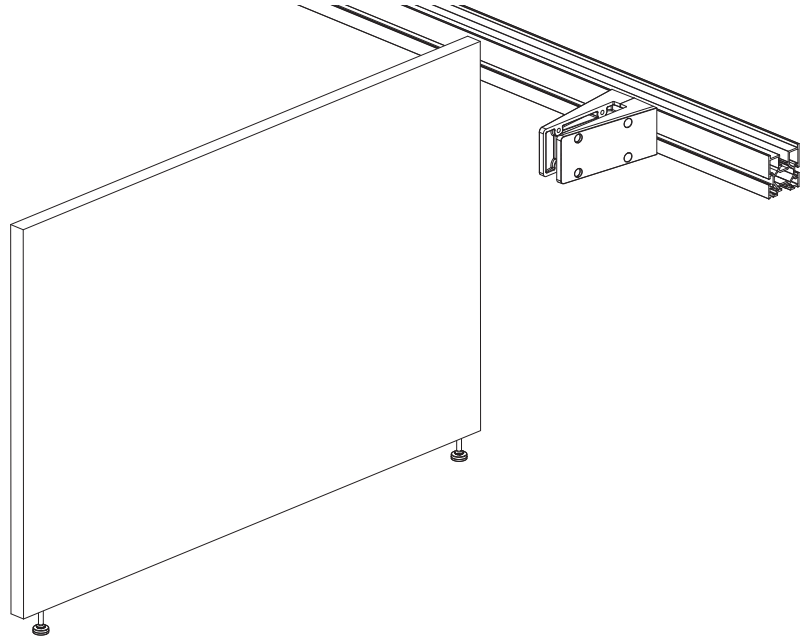


Antenna® Power Beam Gallery Panel

Finish Drilling of holes:

6. Slide the panel out of the bracket opening to finish drilling the four through holes. A scrap of wood can be clamped to the backside of the panel to prevent blowout of the laminate when the holes are being drilled. These holes may be made oversized up to 5/16" diameter during this step to make fastener alignment easier.

Fig. 6



Fully Tighten the Brackets

7. Before sliding the Gallery Panel back into the bracket opening, use a long reach screwdriver or #4 bit with extension to fully tighten the screws holding the brackets to the beam. (Fig. 7)

Fig. 7

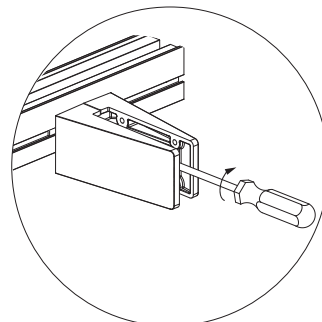
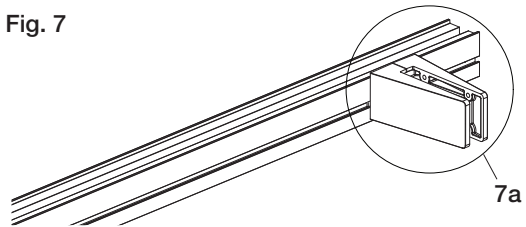


Fig. 7a

Antenna® Power Beam Gallery Panel

Clamp the Panel

8. Slide the panel back into the bracket opening. With a 4mm Hex Bit, use 4 Flat Head, Hexdrive Screws (G) to connect the brackets together and firmly clamp the panel in place. (Fig. 8)

Fig. 8

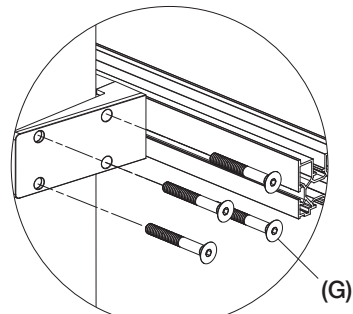
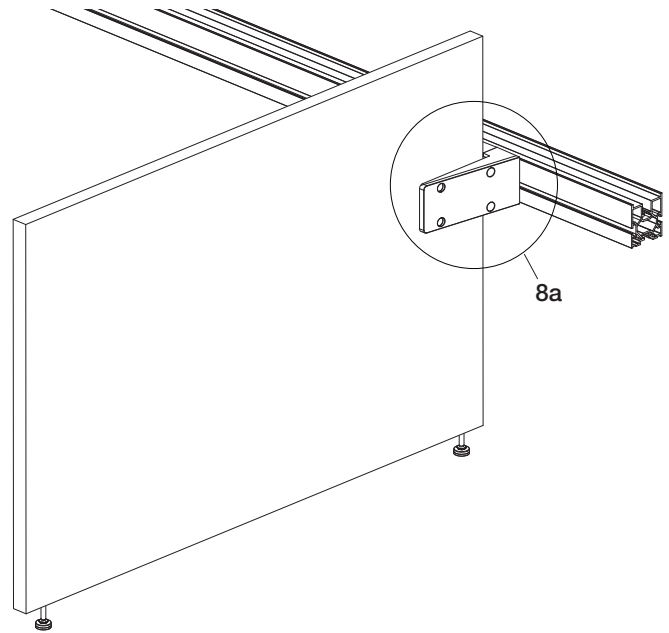


Fig. 8a